

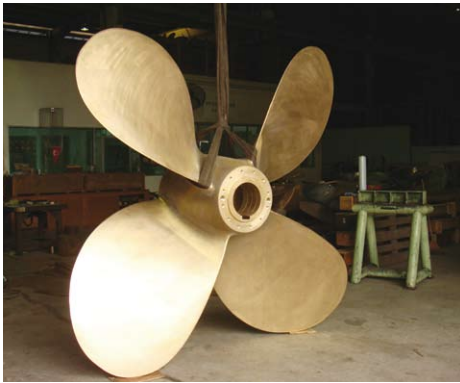
MANUFACTURERS



STONE MARINE PROPULSION LTD

Primary Activity: Large Propellers

- Fixed Pitch Propeller design and manufacture – all sizes for Merchant & Military
- Sterngear / Shaftline design and supply
- Propeller research and development
- Propeller analysis and performance
- Propeller foundry technology
- Propeller metallurgy
- Consultancy (Hydrodynamic and metallurgical technology, investigations into ship performance, cavitation, noise and vibration)
- Expert Witness services for the legal profession



STONE MARINE SINGAPORE PTE

Primary Activity: Propeller and Shafting Packages

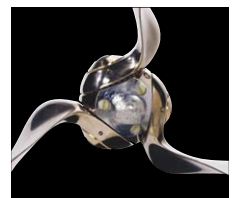
- Propeller and Shaftline packages, design and manufacture
- Fixed pitch propeller manufacture, up to 4 metres diameter
- Shafts up to 15 metres in length
- Bearings and Seals
- Nozzles
- Propeller reconditioning and modification using 'Propscan' measuring system
- Rudders, Sterntubes and Brackets
- Propeller balancing, static and dynamic
- Propeller performance analysis and advice
- Propeller inspection and analysis of problems and recommendations
- Shaft trueness measurement and correction of deviations
- General machine shop services



BRUNTONS PROPELLERS LTD

Primary Activity: Specialist Propellers

- Fixed Pitch Propeller design and manufacture
- Sterngear / Shaftline design and manufacture
- Self-pitching propellers (Autoprop)
- Folding propellers (Varifold)
- Shaft brakes (Autolock)
- Anodic protection (IonGuard)
- Technical services and naval architecture





SERVICE & REPAIR



STONE MARINE SERVICES LTD

Primary Activity: Repair & Servicing

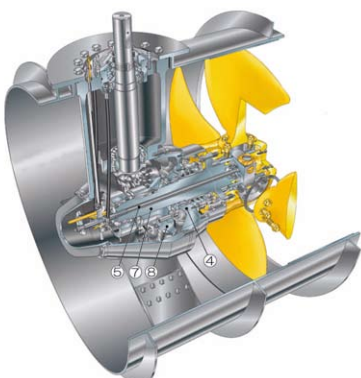
- CPP service and repair
- Thruster service and repair
- Control system setting and diagnosis
- Workshop and machining facility (50 tonne capacity)
- Schottel Authorised Sales and Service Agent - UK & Ireland
- Cedervall Authorised Sales and Service Agent - UK & Ireland
- Stern Seal supply and repair
- Steering Gear & Rudder service
- NDT Inspection
- Deck Machinery: Supplier of Thomas Reid and James Robertson deck machinery, service and overhaul



STONE MARINE SERVICES NAMIBIA (PTY) LTD

Primary Activity: Repair & Servicing

- CPP service and repair
- Thruster service and repair
- Control system setting and diagnosis
- Workshop and heavy machining facility (2 x 12.5 tonne capacity)
- Schottel Authorised Service Agent
- Nakashima Authorised service Agent (Spares & Service) - African Continent
- CPP & FPP full weld repairs, plus cropping, re-pitching, hot straightening, balancing, super polishing etc
- Stern Seal supply and repair
- Steering Gear & Rudder service
- General machine shop services
Horizontal Boring, 11m Shaft Lathe etc.)



STONE MARINE SHIPCARE LTD

Primary Activity: Repair & Servicing

- CPP service and repair
- Thruster service and repair
- Control system setting and diagnosis
- Nakashima agency services (spares, service etc) - Europe & Scandinavia
- Watertight door spares
- FPP repair and super polishing
- Workshop facilities (20 Tonne capacity)
- Fixed Pitch Propeller modification (for overloaded engines)
- Tailshaft bedding
- Shaft wrapping
- Hydraulic push-up supervision
- Consultancy (damage and metallurgical)
- Special alloy welding
- Underwater engineering

